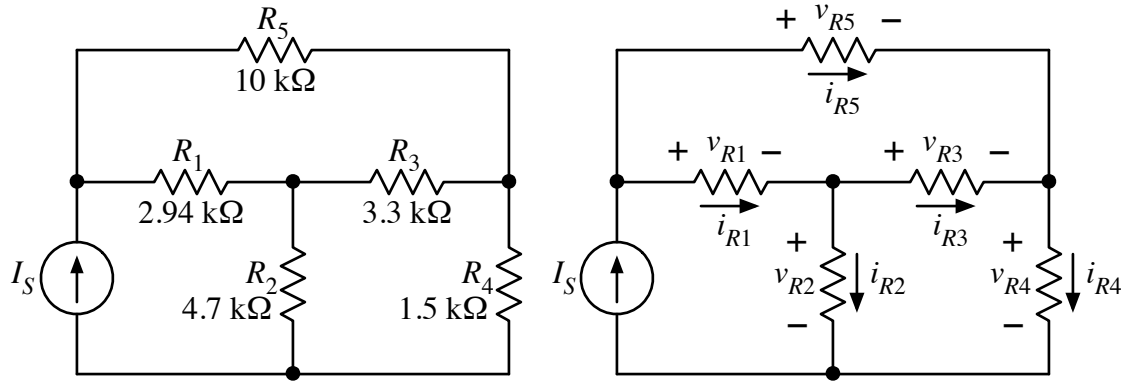


In the circuit shown, use KCL, KVL, and Ohm's law to determine the value of I_S so that the current through R_4 is 3 mA and the voltage across R_3 is 4.9 V, with the voltages and currents defined at right. How much power will be generated by the source?



$I_S =$ _____ ; $P_{I_S} =$ _____