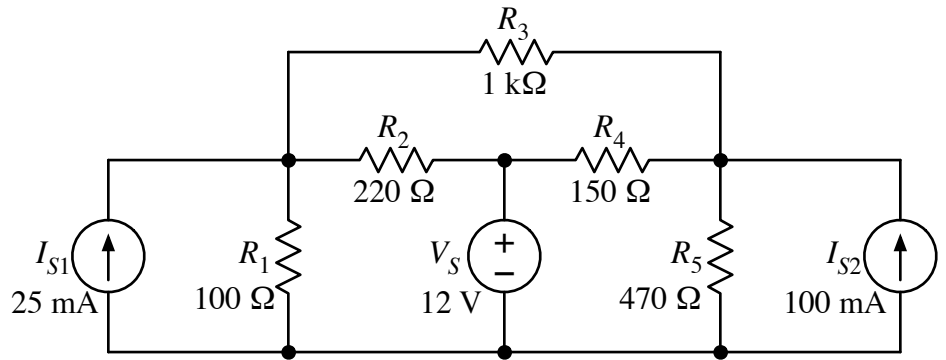


Using the node-voltage method, calculate the power delivered (or absorbed) in each source in the circuit.



$P_{V_S} =$  \_\_\_\_\_ (delivered / absorbed)

$P_{I_{S1}} =$  \_\_\_\_\_ (delivered / absorbed)

$P_{I_{S2}} =$  \_\_\_\_\_ (delivered / absorbed)