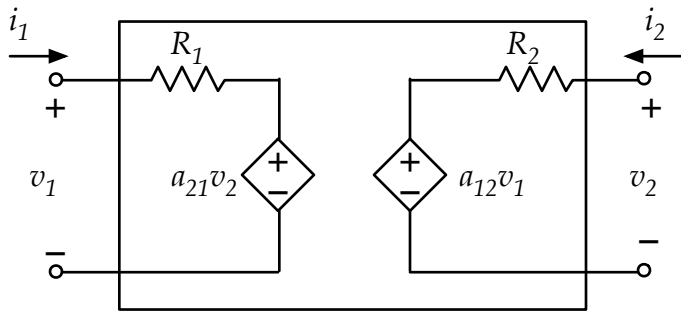
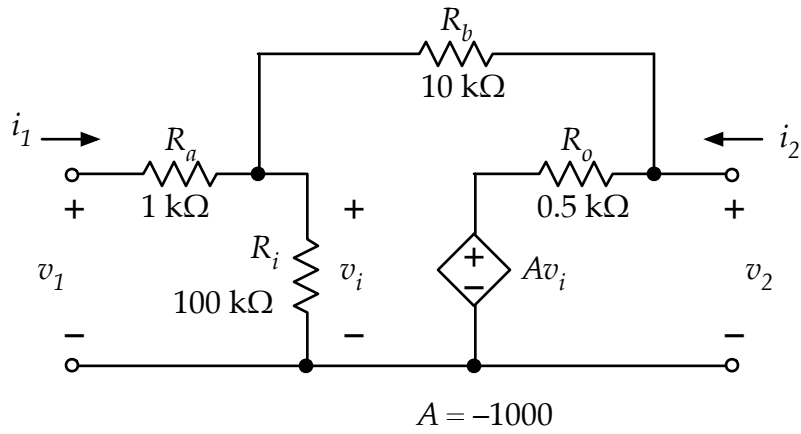


Determine the two-port equivalent for the circuit shown



$R_1 =$  \_\_\_\_\_       $a_{21} =$  \_\_\_\_\_

$R_2 =$  \_\_\_\_\_       $a_{12} =$  \_\_\_\_\_