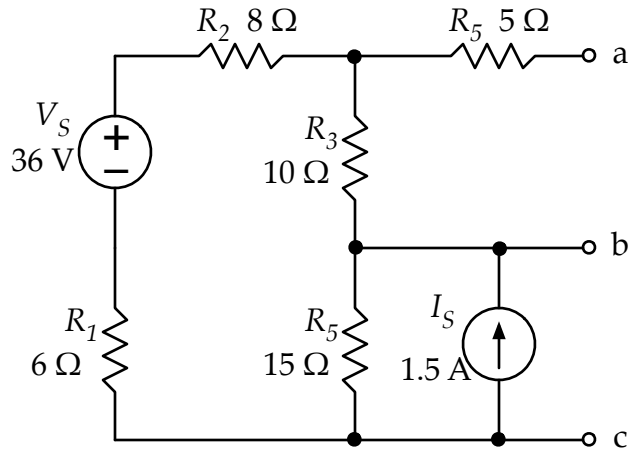


For the circuit shown, find the Thevenin and Norton equivalents for the port defined by nodes a and b . Then find the Thevenin and Norton equivalents for the port defined by the nodes b and c .



$a - b: V_{Th} = \underline{\hspace{2cm}}, R_{Th} = \underline{\hspace{2cm}}, I_N = \underline{\hspace{2cm}}$

$b - c: V_{Th} = \underline{\hspace{2cm}}, R_{Th} = \underline{\hspace{2cm}}, I_N = \underline{\hspace{2cm}}$