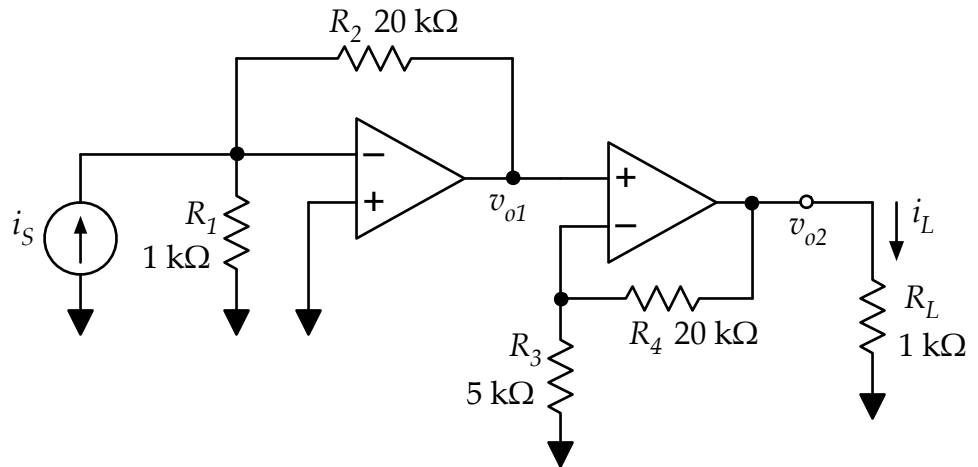


For the cascaded amplifier circuit below, calculate the *current gain*, $G_I = i_L/i_s$. Assume that the op-amps are ideal.



$G_I =$ _____