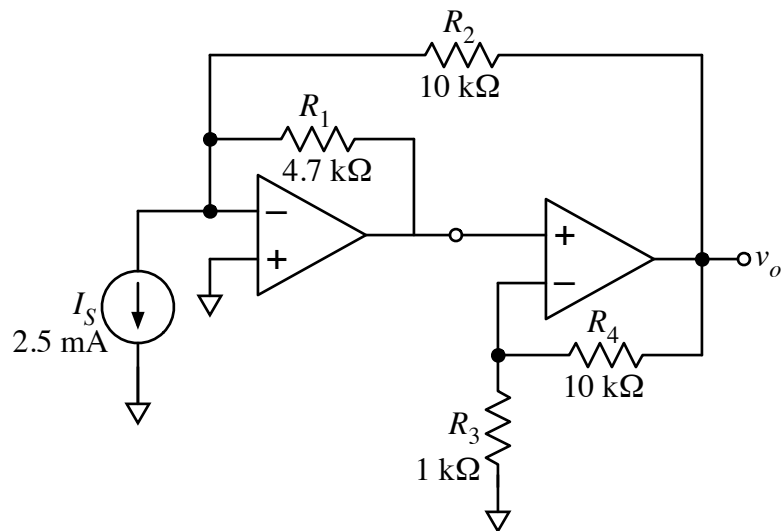


Calculate the value of v_o in the circuit at right. The op amps are ideal.



$v_o =$ _____