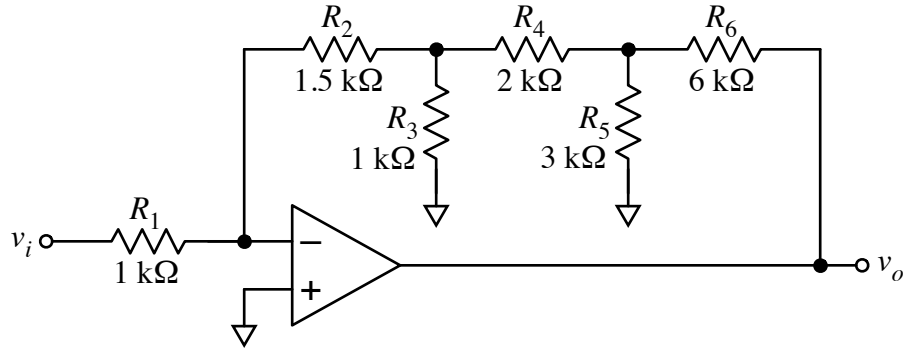


Calculate the closed-loop gain,  $G = v_o/v_i$  for the inverting-type amp circuit at right. The op amp is ideal. (The answer should be a number, not an expression.)



$G =$  \_\_\_\_\_