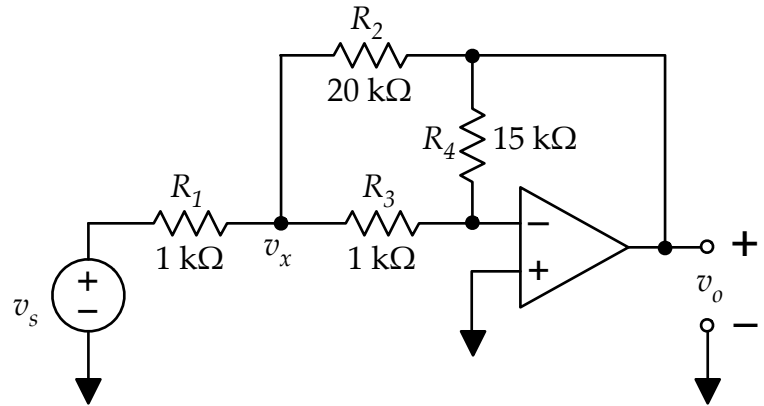


For the circuit shown, calculate the gain,  
 $G = v_o/v_s$ . Assume that the op amp is ideal.



$G =$  \_\_\_\_\_