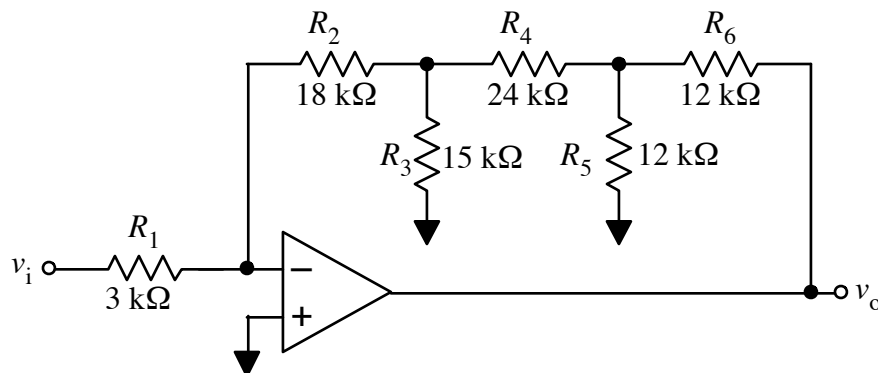


For the circuit shown below, calculate the value of the gain, $G = v_o/v_i$. The op amp is ideal.



$G =$ _____
(a number)