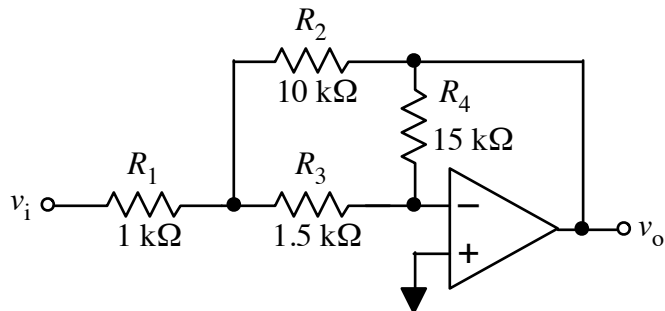


The op-amp in the circuit below is ideal. Calculate the value of closed-loop gain, $G = v_o/v_s$.



$$G = \underline{\hspace{10em}}$$