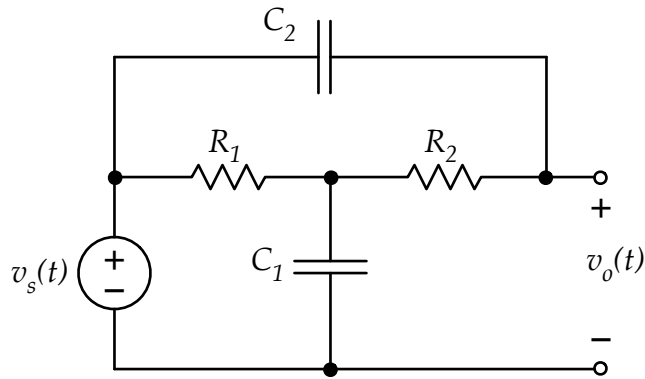


Calculate the transfer function for the circuit shown below. Express your result as a ratio of two polynomials. Then find the expressions for the magnitude and phase of transfer function in the case where $s = j\omega$.



$T(s) = V_o(s)/V_s(s) =$ _____.

$|T(j\omega)| =$ _____

$\theta_T(j\omega) =$ _____