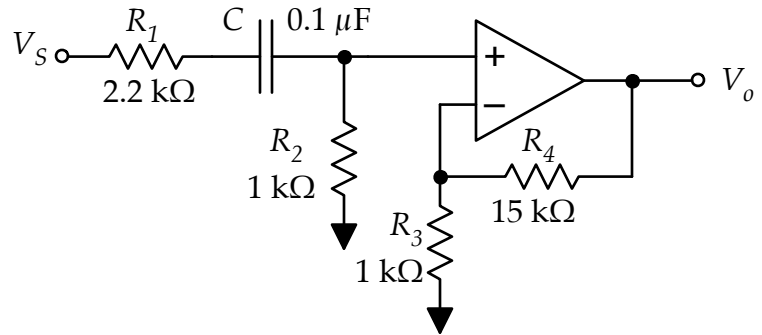


Find the transfer function for the filter circuit shown. Is it low-pass, high-pass, or band-pass? Calculate the corner frequency (f_c not ω_c) and the passband gain, G_o .



$T(s) =$ _____

type: _____

$f_c =$ _____

$G_o =$ _____