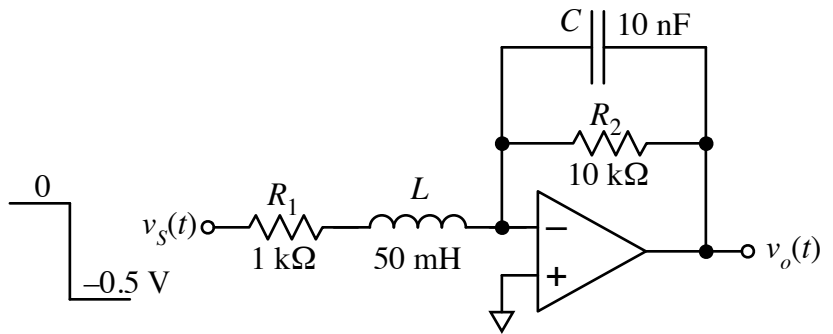


The current source in the circuit at right steps abruptly from 0 to -0.5 V at $t = 0$.



- a) Find the frequency-domain expression for the output voltage. Simplify the expression so that it is in the form of ratio of two polynomials.

$V_o(s) =$ _____

- b) Find the corresponding time-domain expression for the output voltage.

$v_o(t) =$ _____