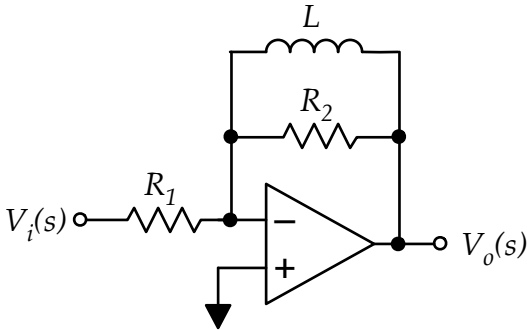
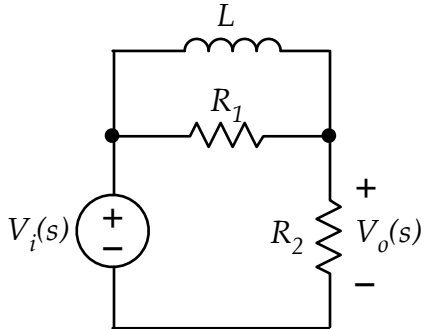


Calculate the transfer function for each circuit below. Express each answer as the ratio of two polynomials.



$T(s) =$ _____



$T(s) =$ _____