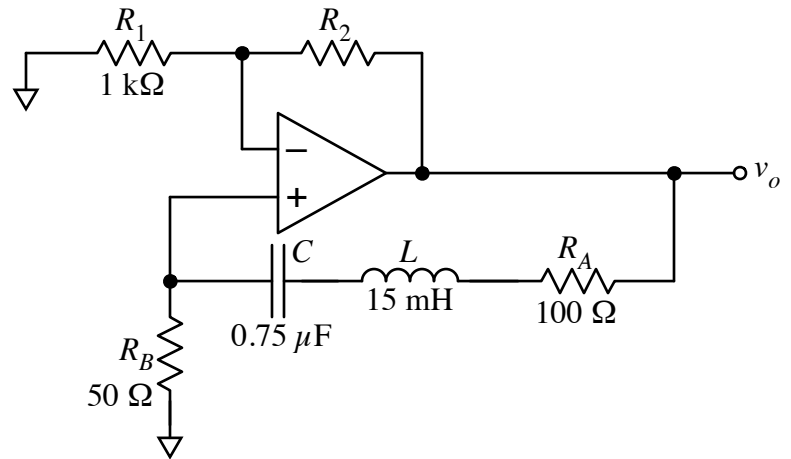


The oscillator circuit at right consists of a non-inverting amp with an RLC tank circuit.

Determine the loop gain function for the circuit.

From the loop function, calculate the value for the oscillation frequency. Calculate the minimum of R_2 needed to ensure oscillation.



$L(s) =$ _____

$f_o =$ _____; $R_2(\text{min}) =$ _____