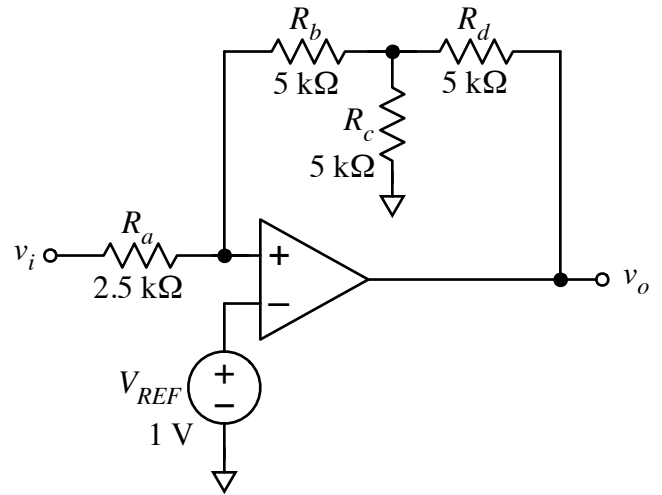


A slightly modified version of a non-inverting comparator with positive feedback is shown below. The op amp has output saturation limits at $V_{L+} = 6\text{ V}$ and $V_{L-} = -6\text{ V}$.

Calculate V_{TL} and V_{TH} for the comparator. Sketch the transfer characteristic — be sure to include important values in the sketch.



$V_{TL} =$ _____ ; $V_{TH} =$ _____