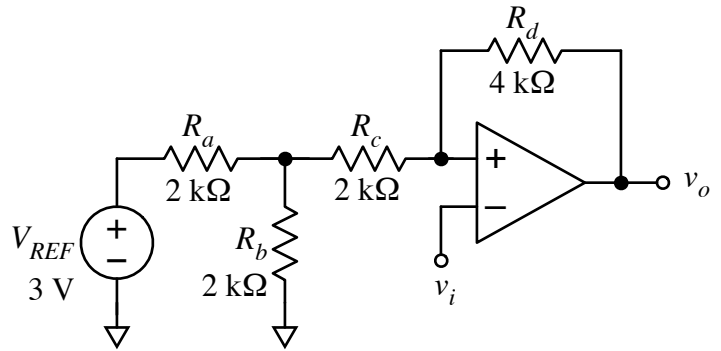


A slightly modified version of an inverting comparator with positive feedback is shown. The op amp has output saturation limits at $V_{L+} = 10\text{ V}$ and $V_{L-} = 0\text{ V}$.

Calculate V_{TL} and V_{TH} for the comparator.



Sketch the transfer characteristic — be sure to include important values in the sketch.

$V_{TL} =$ _____; $V_{TH} =$ _____