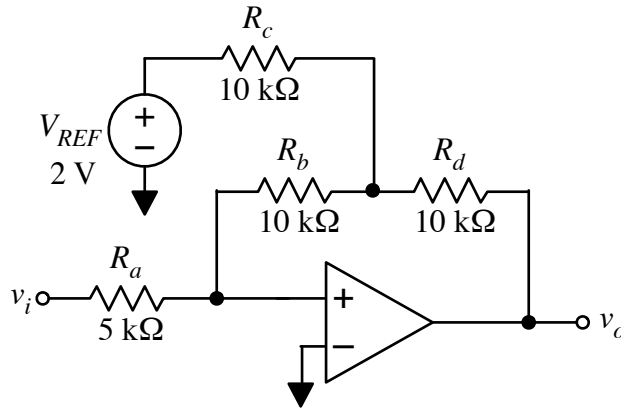


A slightly modified version of a non-inverting comparator with positive feedback is shown below. The op amp has output saturation limits at  $V_{L+} = 6\text{ V}$  and  $V_{L-} = -6\text{ V}$ .

Calculate  $V_{TL}$  and  $V_{TH}$  for the comparator.



$V_{TL} =$  \_\_\_\_\_

$V_{TH} =$  \_\_\_\_\_