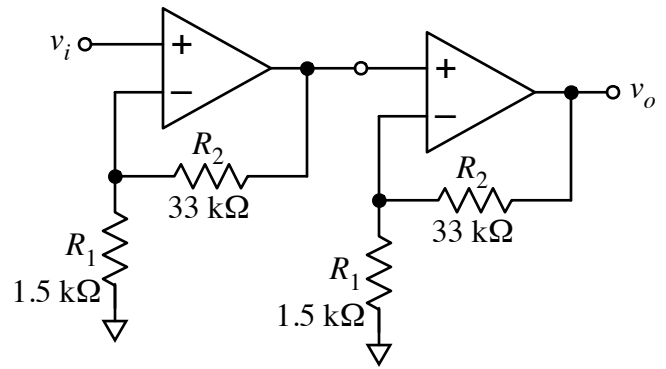


Two identical op-amps with gain-bandwidth of 1 MHz are used to build the cascaded circuit shown at right. Calculate the expected corner frequency of the transfer function of the circuit. (Note: The question is for the corner frequency, meaning that you will need to find f_o and Q_p for the second-order function and use that info to determine f_c .)



$f_c =$ _____