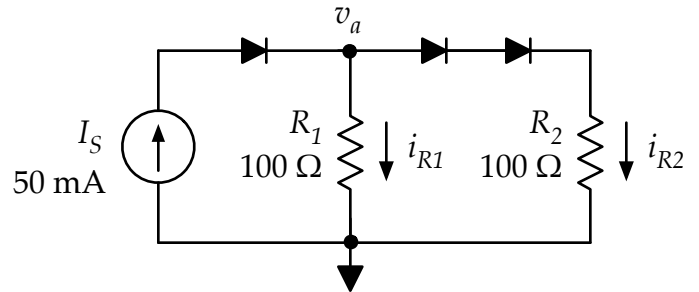


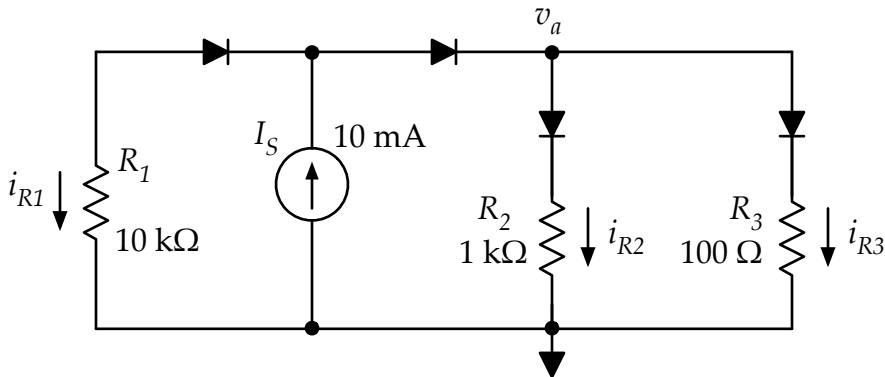
(a) Find the current flowing in each of the resistors in the circuit below. For the diodes, use the on/off model. (Do not use the exact diode equation.) (Hint: The current does not divide equally between R_1 and R_2 .)

$i_{R1} =$ _____

$i_{R2} =$ _____



(b) Find the current flowing in each of the resistors in the circuit below. For the diodes, use the on/off model. (Do not use the exact diode equation.)



$i_{R1} =$ _____

$i_{R2} =$ _____

$i_{R3} =$ _____