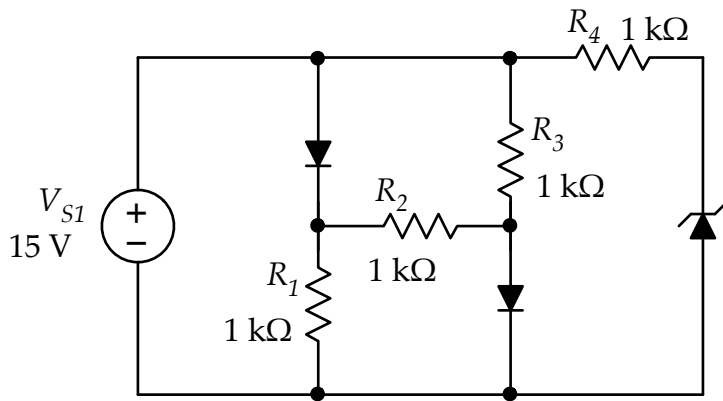


For the circuit below use the on/off model for the regular diodes. The Zeners have a breakdown voltage V_B of 5 V (i.e. reverse current starts flowing when $v_D = -5$ V. Find the resistor currents.



$i_{R1} =$ _____

$i_{R2} =$ _____

$i_{R3} =$ _____

$i_{R4} =$ _____