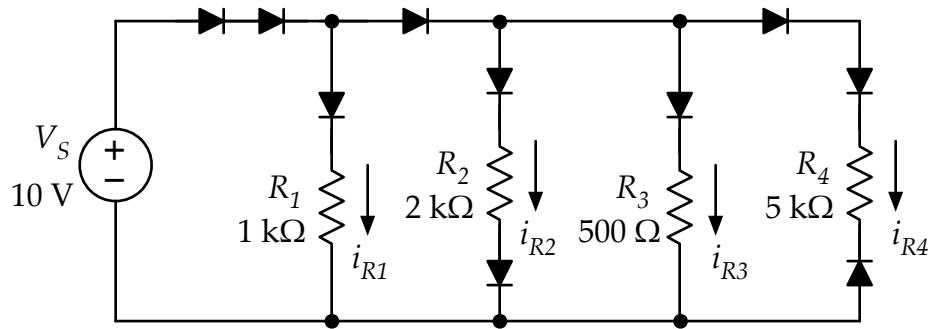


Find the current flowing in each of the resistors in the circuit at right. Use the on/off model for the diodes.



$i_{R1} =$  \_\_\_\_\_

$i_{R2} =$  \_\_\_\_\_

$i_{R3} =$  \_\_\_\_\_

$i_{R4} =$  \_\_\_\_\_

Repeat for  $V_S = 2.5 \text{ V}$ .

$i_{R1} =$  \_\_\_\_\_

$i_{R2} =$  \_\_\_\_\_

$i_{R3} =$  \_\_\_\_\_

$i_{R4} =$  \_\_\_\_\_