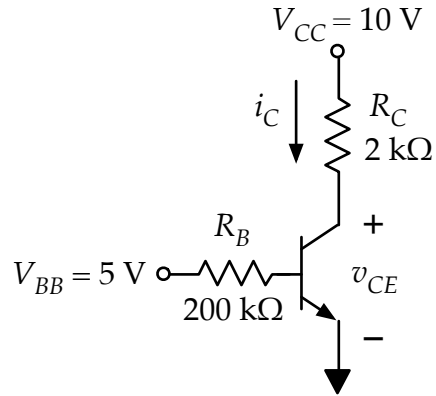


For each of the NPN transistor circuits shown, calculate i_C and v_{CE} . The NPNs all have $\beta_F = 100$.

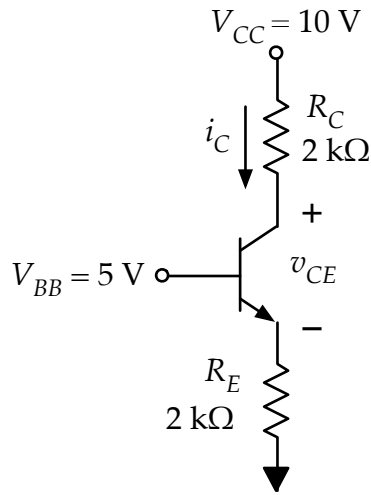
$i_C =$ _____

$v_{CE} =$ _____



$i_C =$ _____

$v_{CE} =$ _____



$i_C =$ _____

$v_{CE} =$ _____

