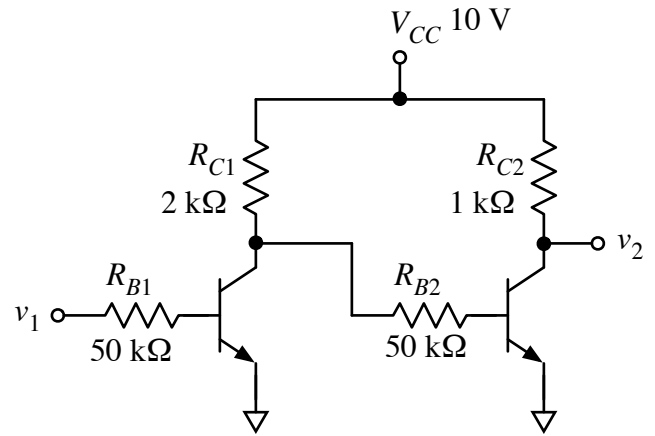


For the circuit shown, calculate  $v_2$  three times: when  $v_1 = 0.5$  V,  $v_1 = 2.5$  V, and  $v_1 = 5.0$  V.

Both BJTs have  $\beta_F = 100$ .



$v_1 = 0.5$  V:  $v_2 =$  \_\_\_\_\_

$v_1 = 2.5$  V:  $v_2 =$  \_\_\_\_\_

$v_1 = 5$  V:  $v_2 =$  \_\_\_\_\_